



PATTERN COLLECTION

Women



Snug as a Bug

Designed by Universal Yarn Design Team

DIFFICULTY

Easy

SIZES

One Size

FINISHED MEASUREMENTS

Bust (with fronts touching): 65½"

Length: 29"

MATERIALS

Universal Yarn *Bella Chenille Big Glimmer* (94% polyester, 6% metallized polyester; 200g/87yds)

- 610 Thistle - 6 skeins

Needles: US Size 15 (10 mm) 32" circular (to accommodate large number of sts) or size needed to obtain gauge

Notions: Tapestry needle, removable stitch markers, stitch markers, sewing needle and thread (for Back pleat)

GAUGE

5 sts x 12 rows = 4" in Stockinette stitch (St st)

Save time, check your gauge.

Knit, Relax, Smile, Repeat!

2021 © Universal Yarn, Inc.

All rights reserved. This pattern may not be reproduced for business, trade or sale.

PATTERN NOTES

A cozy robe and good book are all you need for the perfect weekend at home. First relax while knitting this soothing project, then relax while wearing it! Worked in plush Bella Chenille Big Glimmer, you'll never want to take this off. Don't be afraid to leave the house - wrap a belt around the waist and wear it as a shimmering, soft jacket, too!

This cardigan is knit flat in pieces from the bottom up. The front edging is worked at the same time as the front pieces for minimal finishing. After seaming, a small pleat is added to the back neck for a nice fit and cute finishing touch.

PATTERN BEGINS

BACK

Hem

Cast on 44 sts.

Work in garter st for 2½".

Main Back

Work in St st until piece meas approx. 11" from cast-on edge. Place a removable marker on each side to denote armholes. Cont in St st until piece meas approx. 29" from cast-on edge, ending with a WS row.

Next Row (RS): K13 Right Shoulder sts, bind off next 18 Neck sts, k13 Left Shoulder sts. Place shoulder sts on holder or waste yarn. Set aside.

LEFT FRONT

Hem

Cast on 21 sts. Work in garter st for 2½".

Main Front

Row 1 (RS): K18, pm, k3.

Row 2 (WS): K3, sl m, purl to end.

Rep Rows 1-2 until piece meas approx. 11" from cast-on edge. Place a removable marker on right side of work to denote armholes. Cont in patt as est'd until piece meas approx. 11¼" from cast-on edge, ending with a WS row.

Shape Neck

Dec Row (RS): Knit to 2 sts bef m, ssk, sl m, k3 - 1 st dec'd, 20 sts rem.

Continuing in patt as est'd, rep Dec Row every 6 rows, 7 more times - 7 sts dec'd, 13 sts rem.

After all shaping is complete, work even in patt as est'd until piece meas approx. 29" from cast-on edge, ending with a RS row. Place sts on holder or waste yarn. Set aside.

RIGHT FRONT

Hem

Cast on 21 sts. Work in garter st for 2½".

Main Front

Row 1 (RS): K3, pm, k18.

Row 2 (WS): Purl to m, sl m, k3.

Rep Rows 1-2 until piece meas approx. 11" from cast-on edge. Place a removable marker on right side of work to denote armholes. Cont in patt as est'd until piece meas approx. 11¼" from cast-on edge, ending with a WS row.

Shape Neck

Dec Row (RS): K3, sl m, k2tog, knit to end.

Continuing in patt as est'd, rep Dec Row every 6 rows, 7 more times - 7 sts dec'd, 13 sts rem.

After all shaping is complete, work even in patt as est'd until piece meas approx. 29" from cast-on edge, ending with a RS row. Place sts on holder or waste yarn. Set aside.

Join Left Front and Left Back shoulders using the three-needle bind-off. Rep for Right Front and Right Back shoulders.

SLEEVES

Hem

Cast on 47 sts. Work in garter st for 2½".

Main Sleeve

Work in St st until Sleeve meas 11½" from cast-on edge, ending with a WS row. Bind off all sts.

FINISHING

Gently wash and block pieces to finished measurements. Sew sleeves to body, using removable markers as a guide. Sew side seams. Weave in ends.

Back Pleat

With RS of Back facing, using sewing needle and thread, create a pleat at the center of the back neck by carefully folding approx. 1" to each the left and right side of center back towards the center point. Secure by sewing closed.

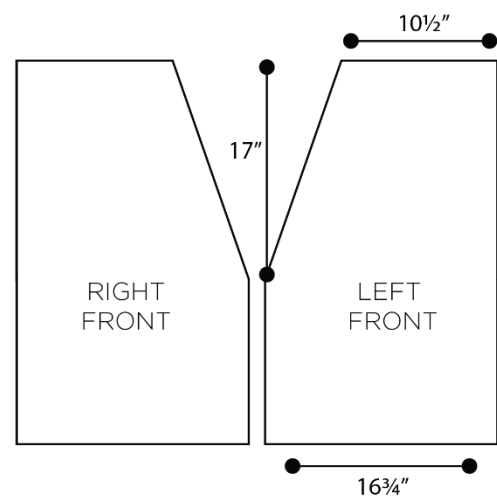
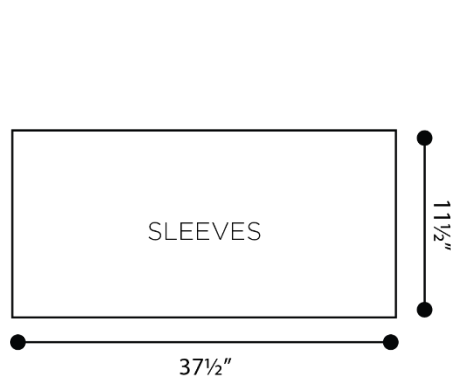
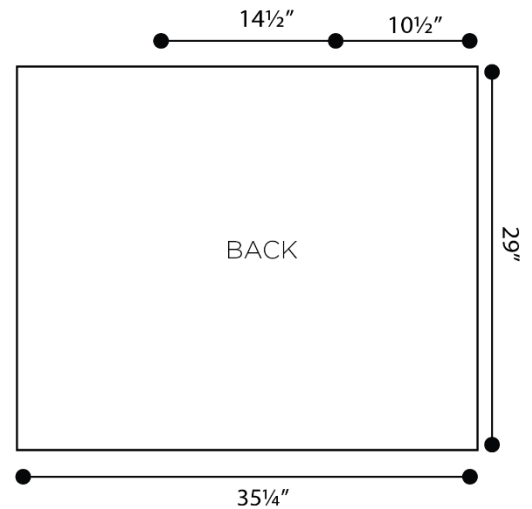
Knit, Relax, Smile, Repeat!

2021 © Universal Yarn, Inc.

All rights reserved. This pattern may not be reproduced for business, trade or sale.

Abbreviations

approx	approximately
bef	before
beg	begin(ning)
cont	continue
dec('d)	decrease(d)
est'd	established
garter st	knit every row
k	knit
k2tog	knit 2 stitches together (1 st
dec'd)	
m	marker
meas	measures
p	purl
patt	pattern
pm	place marker
rem	remain(ing)
rep	repeat
RS	right side
sl	slip
ssk	slip next 2 sts individually knitwise, slip them back to left needle in this position, knit them together through the back loops (1 st dec'd)
St st	Stockinette stitch (knit on RS rows, purl on WS rows; in the rnd, knit every rnd)
st(s)	stitch(es)
WS	wrong side



Knit, Relax, Smile, Repeat!

2021 © Universal Yarn, Inc.

All rights reserved. This pattern may not be reproduced for business, trade or sale.